

Aquamatik



The Global Water Technics

Value of enterprise

Autotex has been manufacturing various products for Textile, Automobile, Insecticides, Water pump accessories and Poultry equipments since 1988. In this time span our company has grown as leading manufacturers of engineering products of above various industries with immense quality standards of the products nature.

Our quest for quality starts from R&D, design and ends at customer point. The stringent in-house quality measures and quality standards has proved and been accepted by the leading OEM's around the globe and have proud customers in more than 30 countries for our products. Our customers prefer us, for our continuous developments through research, proven quality standards, On-time Delivery, best pricing etc.

This forms the basis for highly structured activity at Autotex to develop and produced superior products. Our responsibility does not end with just supply of products, we strongly believe in after sales service - a key area contributing towards total customers satisfaction.



Aquamatik

Simple but Reliable

Superior in Quality but Affordable

Technologically advanced but user friendly



**Water is essential
for all dimensions of life.
We make efficient use of water.**

– Aquamatik Team –

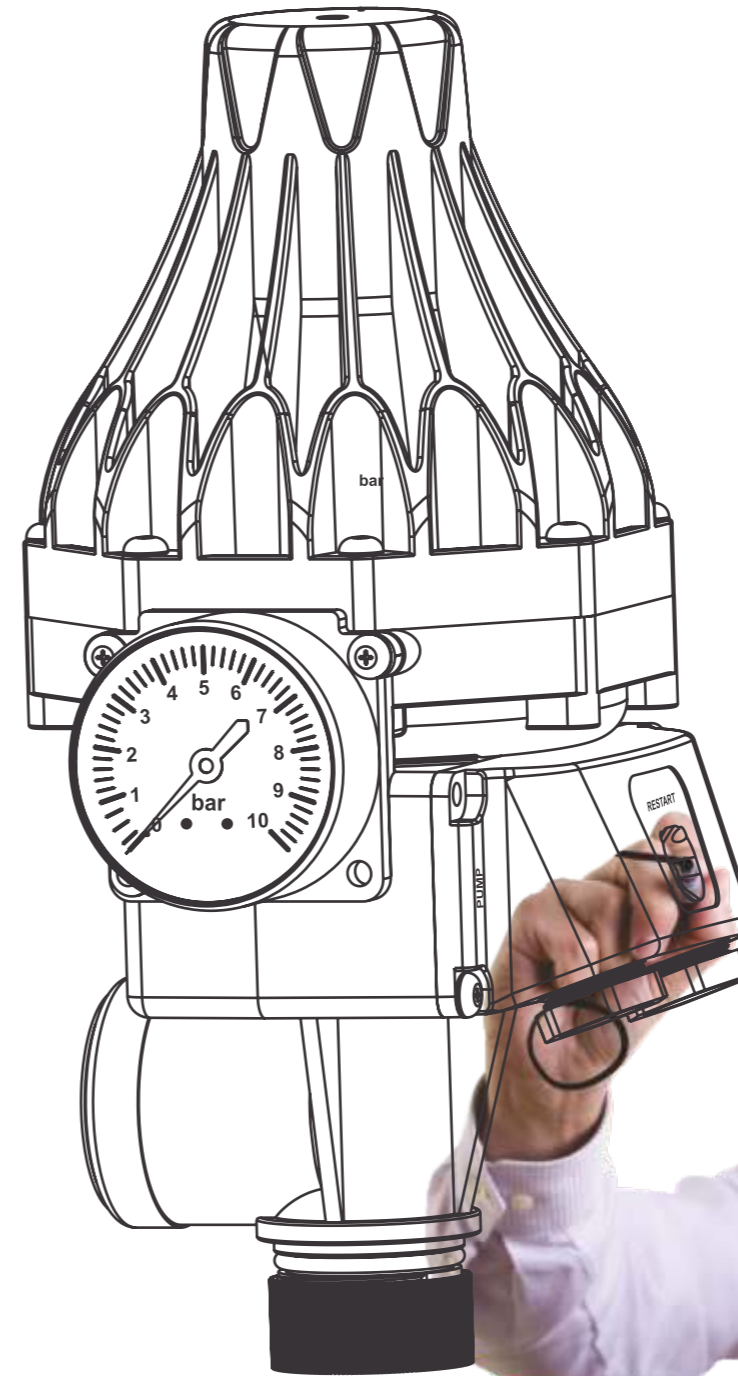


Aquamatik



Our Quest for **Quality** Starts from **Design**

Aquamatik products are developed by innovation. The constant improvements and developments, to meet the enhancing customer requirements by our world class quality standards are the key features. We are certified by TUV – SUD for ISO 9001 Quality Management System, and maintaining for our improvements. Aquamatik products are certified for CE marking | UL | RoHS and comply with the European test requirements.



Aquamatik

Tested and Trusted.
Globally.

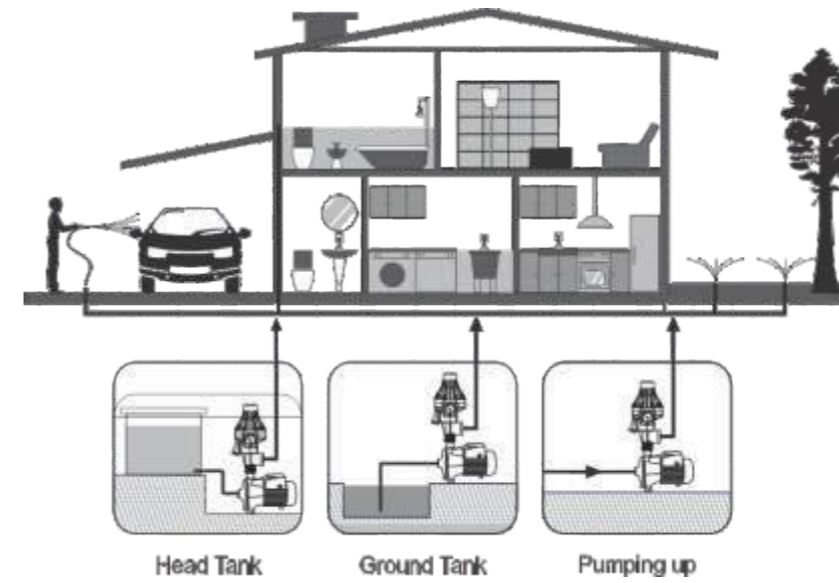




Aquamatik

- for House watering systems | Booster pumps
- Green house watering systems
- Farming and Agri watering systems
- Car wash pumps | Open well pumps
- Submersible well pumps | Chlorinator pumps
- Depressurized pumps | RO Plants

And many more purpose





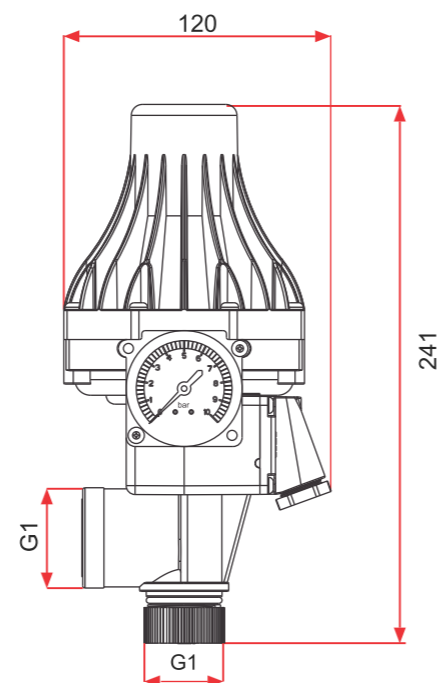
Automatic Pump Control PC - 03 Series

Aquamatik Pump controllers are built for a quiet running operation, Non return valve built-in, pressure gauge, pressure switch and electronic control with dry running function integrated with manual reset button. Adjustable starting pressure 1.5 - 2.5 bar Plastic union connection included. It is assembled on a pump for automatic water supply. When the taps are opened it starts the electric pump automatically after a decrease in pressure. When the taps are closed the fluid flow interrupts at the maximum pressure level of the electric pump and stops the electric pump. If the pump runs without water, the controller off the pump and prevents water hammer

Technical Parameters

- Rated Voltage: 1~220 / 230 / 240V
- Frequency: 50 / 60 Hz
- Max current / Max power: 10A / 1.5 KW
- Starting pressure setting: 1.2 - 1.5 bar
- Max working pressure: 10Bar
- Protecting rating: IP65
- Max Working Temperature: 60° C

Aquamatik pump controller is successfully tested up to 50,000 cycles which is more than 3 years of life in normal working conditions.



Automatic Pump Control

PC - 02 / 02A Series

Aquamatik Pump controllers are built for a quiet running operation, Non return valve built-in, pressure gauge, pressure switch and electronic control with dry running function integrated with manual reset button. Adjustable starting pressure 1.5 - 2.5 bar Plastic union connection included. It is assembled on a pump for automatic water supply. When the taps are opened it starts the electric pump automatically after a decrease in pressure. When the taps are closed the fluid flow interrupts at the maximum pressure level of the electric pump and stops the electric pump. If the pump runs without water, the controller off the pump and prevents water hammer



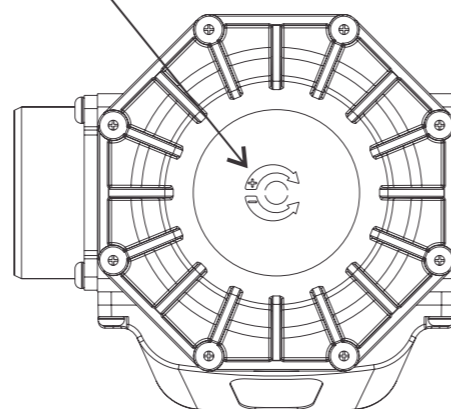
PC-02A

Adjusting the start-up pressure

The Start-up pressure is adjusted using the screw located on top of the Kit.

Switch on a tap in the installation and read the pressure shown on the pressure gauge at the moment of starting. Turn the adjusting screw in the desired direction. The start-up pressure should normally be set 0.3 bar over the static pressure of the installation above the kit.

Adjustment Screw



Technical Parameters

- Rated Voltage: 1~220 / 230 / 240V
- Frequency: 50 / 60 Hz
- Max current / Max power: 10A / 1.5 KW
- Starting pressure setting: 1.2 - 1.5 bar
- Max working pressure: 10Bar
- Protecting rating: IP65
- Max Working Temperature: 60° C





Automatic Pump Control
PC - 10 Series



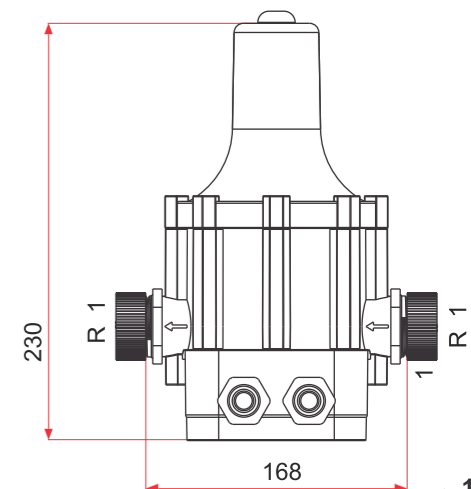
Aquamatik products are developed by innovation. The constant improvements and developments to meet the enhancing customer requirements by our world class quality standards are the key features. The well equipped Quality Control section with the trained team ensures that all products are tested as per international quality norms. We are certified by TUV – SUD for ISO 9001 Quality Management System, and maintaining for our improvements. Aquamatik products are certified for CE marking and comply with the European test requirements.

Features :

- No Noise, Complete silent.
- Built in reset button
- Automatic start and stop of pump
- Protection against dry running
- Over heat protection
- Examine the water automatically
- Forced start

Technical Parameters

- Rated Voltage: 1~220 / 230 / 240V
- Frequency: 50 / 60 Hz
- Max current / Max power: 10A / 1.5 Kw
- Starting pressure setting: 1.2 - 1.5 bar
- Max working pressure: 10Bar
- Protecting rating: IP65
- Max Working Temperature: 60° C



**Save Water
Every Drop Counts**



**Aquamatik
Float Switch**
Performance Guaranteed.

Aquamatik Float Switch

Aquamatik®

Aquamatik float switch is extensively used for all types of water level controllers. It is water proof and stays above the water level. It is also resistant to corrosion and abrasion. The advanced automatic float switch can actuate a pump, an indicator, an alarm, or other device.

Use them with hydroponics, saltwater tank, freshwater tank, gardening, aquariums for power head control, pet bowls, fish tanks, filtration, heating, pumps, ponds, basement alarms, boats, air condition drain pans, pressure washers, carpet cleaning mach, reef aquarium, fluid control, ice machines, coffee pots, marine, automotive, automobiles, tropical fish tanks, evaporator coils, condensation line, in relays, or what ever your project may be.

It can be easily converted from normally open to normally close by inverting the float. The float switch is endurance tested mechanically and electrically for 100,000 switching.



Technical Parameters

- Rated Voltage 1~220 / 230 / 240V
- Rated Current 10A
- Frequency 50/60Hz
- Protection ratingMax IP 67
- working temperature 60°C

Packing Specifications

Model	Cable Length	Dimension	Quantity	N.W / G.W
FS - 15	2M	55 x 35 x 23 cm	20 Pcs / Ctn	12.2 / 15 Kgs
FS - 15	3M	55 x 35 x 23 cm	20 Pcs / Ctn	13.8 / 16.5 Kgs
FS - 15	5M	55 x 35 x 23 cm	20 Pcs / Ctn	17.4 / 20 Kgs
FS - 15	10M	55 x 35 x 23 cm	12 Pcs / Ctn	16.5 / 19.0 Kgs



AUTOTEX

Tested and Trusted, Globally.

The art of Engineering

A Strong vertical and horizontal integration has been the cornerstone of the evolution and growth of Autotex. State-of-the-Art infrastructure created for manufacturing Engineering Plastic components, Pressure die casting parts to cater various industries globally like Automotive, Engineering and Textile components. Today, each of these streams is an independent business vertical. Modules and Assemblies were forward integration of these ranges.

Autotex aims at giving its customer a complete satisfaction by achieving their requirements at the right time with right quality. Autotex handles all aspects, right from the specification given by the customer from design/analysis and complete product realization and testing, making us an one stop solution for all our customers end requirement.

AUTOCOATS

The Hi-tech Coating Solution

The art of Industrial Coatings

From the humble beginning 2 decades ago today Autocoats has become pioneer in the field of Surface Coating Solution Provider. Our Presence are in wide range of industries from Automobile, Textile Machinery, Motor and Pump Industries, Agri equipments, Constructions, Computer accessories, Medical equipments, Engineering industries etc. We are exceeding the customer expectation through continual improvements.

Electro Static Powder Coating | Polyurethane Coating
Stoving Enamel | Zinc Chromate | Red Oxide Coating | CED Painting



Our Sincere Thanks to Global Leaders for accompanying us to Strengthen Our Standards





Autotex Corporate Office - Unit I



Autocoats



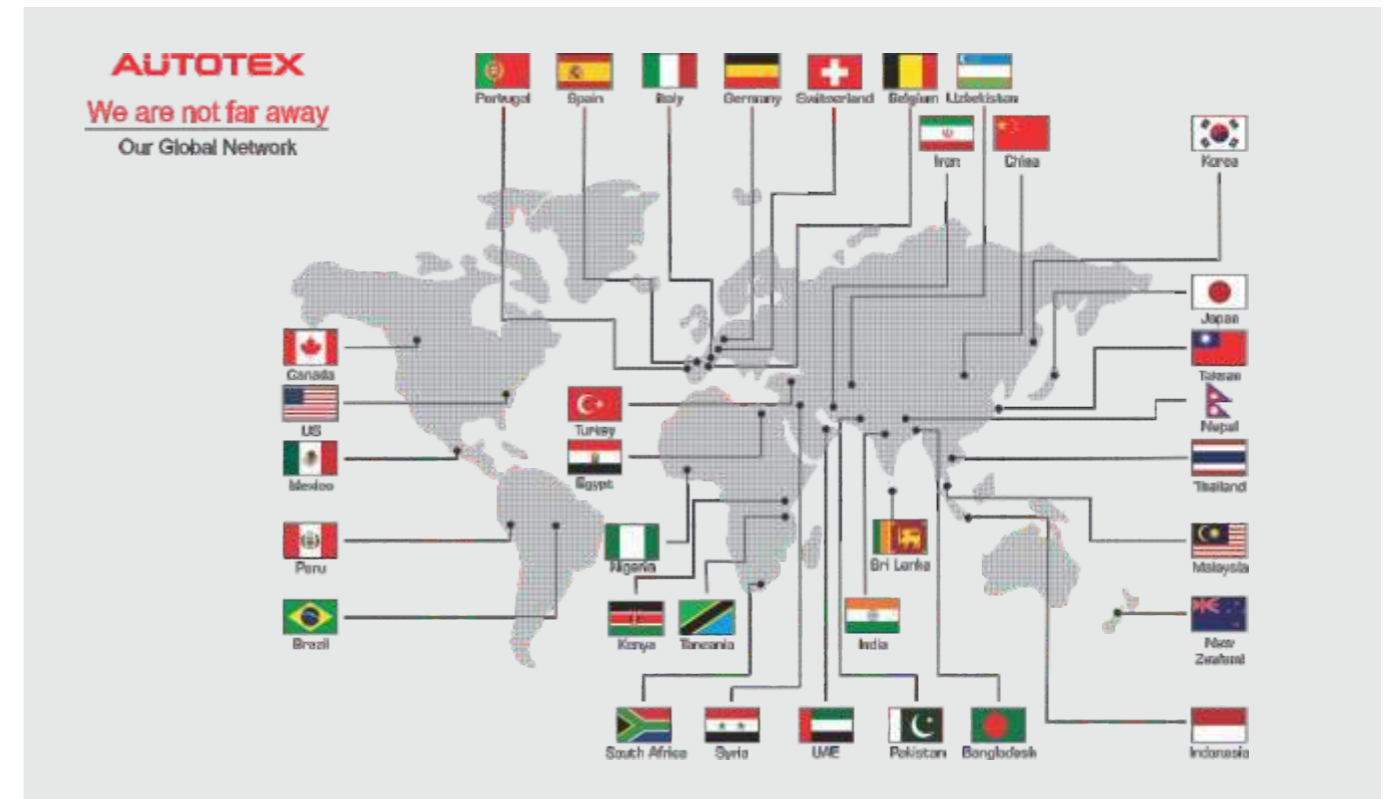
Autotex - Unit II



Autotex - Aquamatik Division



Autotex wind farm at Karnataka - India



Welcome to Autotex

Try our products - Trying is ensuring
See the difference - Seeing is believing



Regd. Office: 13/20, Sitra - Kalapatty Road, Coimbatore - 641 014. INDIA.
Mobile: +91 994 420 1515 | Phone: +91 422 432 1515 | Web: www.autotex.net | E-mail: raghavan@autotex.net



www.autotex.net

Success by Quality



Appendix to this Brochure

We reserve the right of altering and improving one or more features of our products previously described at any time without any notice.

Autotex system and innovation are protected by patents and applications.